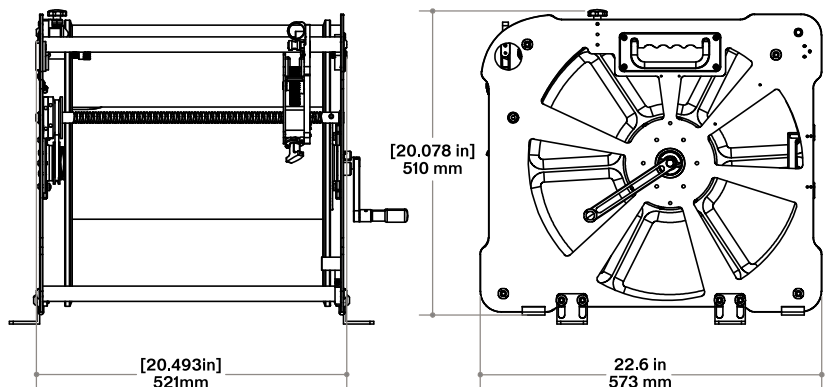
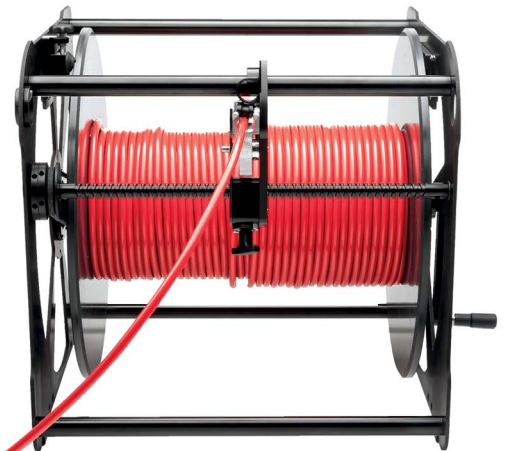


CROC XL

Our largest reel, the CROC XL can hold up to 500 meters of 10 mm diameter cable but still offers portability and ease of transport. It fits comfortably inside a Pelican 370 case for carrying, or it can be arranged on a pallet with your ROV, sonar or other system for a complete package shipping solution. And it is available with all the same upgrades and options.



SPECIFICATIONS

Model	008-500-00	Smart Winch Option	
Material	6061-T6 Aluminum and Acetal	Power	12 VDC @ < 1000 W
Weight	16.3 Kg/35.9 lb (without cable)	Pull Force	54 Kg (full drum) 125 Kg (empty drum)
Slip Ring	8 Conductor, 28 AWG, 240 VDC/AC (options for higher voltage, extra conductors, fiber optic, etc.)	Top Tether/Cable Speed (full drum)	37 m/min
Options	Adjustable level-wind, motorized payout/retrieval, deployment arm/sheave, OEM/White Label branding available upon request	Torque	120 Nm (88 ft-lb)
Capacity	Cable Diameter × Max Length 5 mm × 2,100 m 8 mm × 800 m 10 mm × 500 m 15 mm × 200 m		

Contact us today
to learn more!

1-888-615-5176
778-262-2354

2A-3411 Shenton Rd
Nanaimo, BC V9T 2H1

info@reach-systems.com
reach-systems.com