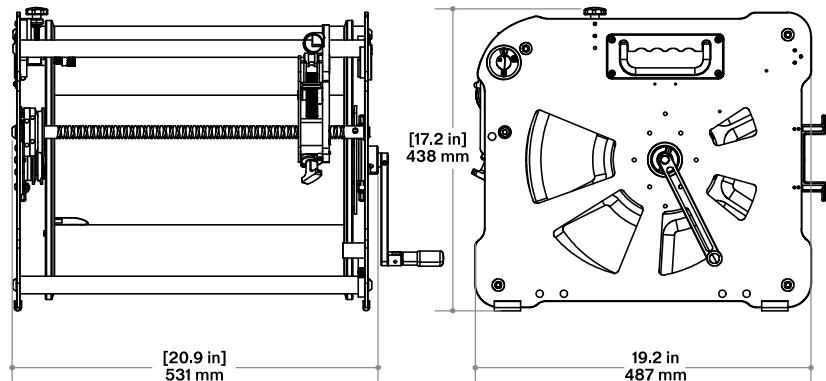
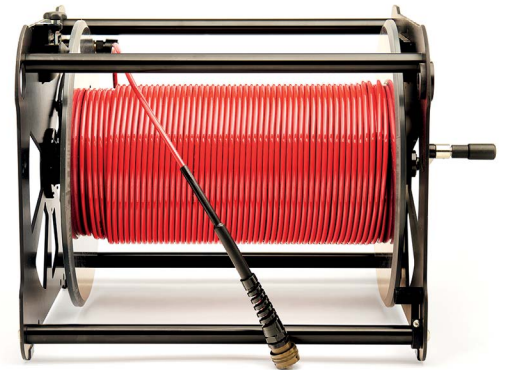


CROC

The standard CROC cable reel offers unparalleled durability and ease of use in a small package. With support for more than 1,000 meters of 5 mm diameter tether, and options for motors, level winds, and distance counters, the CROC is suitable for almost any remote system application, from ROVs to robotic crawlers to sonar systems and more.



SPECIFICATIONS

Model	008-440-00	Smart Winch Option	
Material	6061-T6 Aluminum and Acetal	Power	12 VDC @ < 1000 W
Weight	13.8 Kg/30.4 lb (without cable)	Pull Force	66 Kg (full drum) 125 Kg (empty drum)
Slip Ring	8 Conductor, 28 AWG, 240 VDC/AC (options for higher voltage, extra conductors, fiber optic, etc.)	Top Tether/Cable Speed (full drum)	30 m/min
Options	Adjustable level-wind, motorized payout/retrieval, deployment arm/sheave, OEM/White Label branding available upon request	Torque	120 Nm (88 ft-lb)
Capacity	Cable Diameter × Max Length 5 mm × 1,300 m 8 mm × 500 m 10 mm × 300 m		

Contact us today
to learn more!

1-888-615-5176
778-262-2354

2A-3411 Shenton Rd
Nanaimo, BC V9T 2H1

info@reach-systems.com
reach-systems.com